

Infinity Prelude® Forty

Infinity® Loudspeaker Troubleshooting/Repair Tips

Most customers prefer to do simple loudspeaker repairs themselves. By following the steps below, a majority of loudspeakers can be returned to their original factory performance level with minimum effort. Choose the example that best describes the problem you are experiencing.

Problem 1: No sound or distorted sound from one loudspeaker in a pair (or set)

Connect the dead/distorting loudspeaker to a different amplifier channel (one that had a functioning loudspeaker connected to it). If it functions normally, the problem is not loudspeaker-related. If the loudspeaker still makes no sound or sounds distorted, a wire may have become loose or disconnected, the network (also known as a crossover) may be defective, the drivers (woofer, tweeter, etc.) may be defective or, in very rare cases, all may be defective.

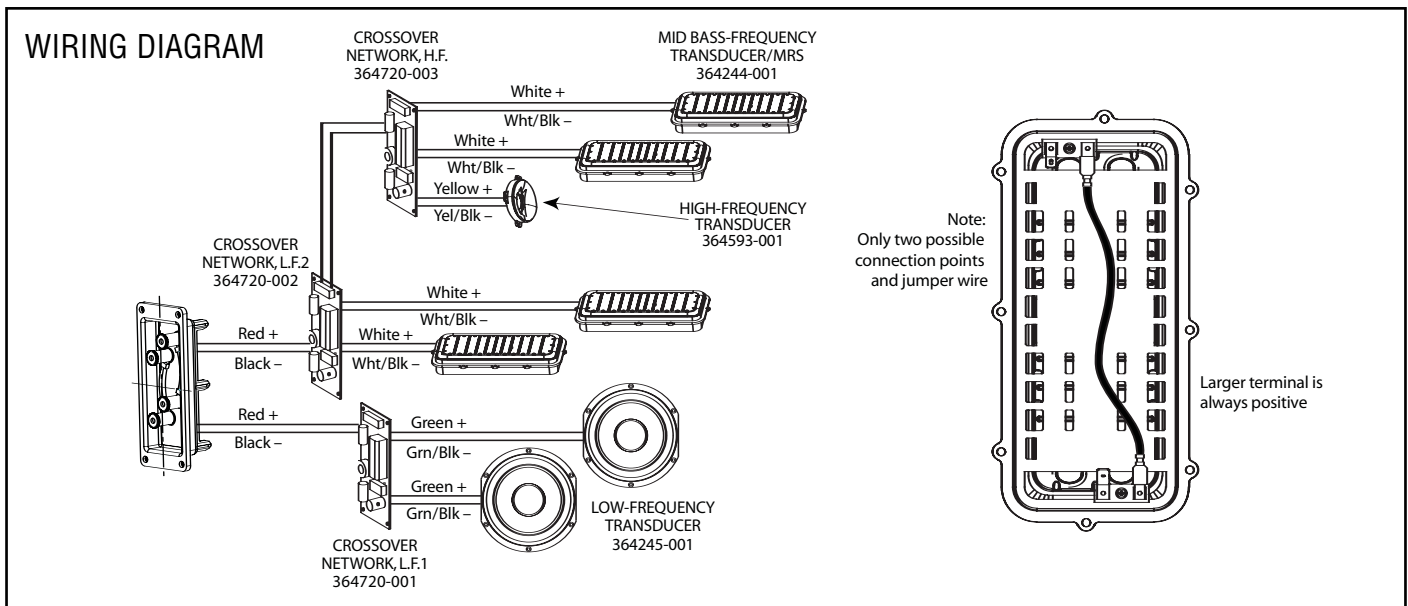
Refer to the wiring diagram and exploded view below. The network is a small circuit board found on the inside of the terminal cup, or mounted to an inside wall of the enclosure. It sends low-frequency sounds to the woofer, high-frequency sounds to the tweeter and, if applicable, mid-frequency sounds to the midrange driver. Make sure all wires are secure and connected. Look for components on the network that look burned, "bulged," or abnormal. If everything looks normal, connect the network to the drivers from another matching loudspeaker. **MAKE SURE** you attach the correct wires to each driver – mid- and low-frequency sounds can damage the tweeter! If there is still no sound or distorted sound, the network is defective. If there is clean, undistorted sound, the drivers are defective.

Problem 2: No sound or distorted sound from one or more (but not all) drivers in an enclosure

Remove the problem driver(s) from the enclosure and make sure all wires are secure and connected. If they are, proceed with the following test:
Woofer or midrange driver – Connect the driver's + and – input terminals directly to the loudspeaker wires from your receiver/amplifier and play some music at a reasonable volume. If the driver now sounds normal (produces a clean, undistorted sound), the network is most likely defective.
Tweeter – Replace the tweeter with a functioning tweeter from another loudspeaker. If the tweeter now functions normally (produces clean, undistorted sound), the original tweeter is defective. If the replacement tweeter also sounds distorted or produces no sound, the network is most likely defective.

Problem 3: Loudspeakers distort, rattle or pop at higher volumes

This is usually NOT a loudspeaker problem. Common causes are too much power (playing the loudspeakers too loud and causing them to distort), an amplifier with not enough power (the amplifier can't produce the required volume without distorting), excessive equalization (turning the tone controls too far clockwise, and/or engaging the loudness/bass boost button on your receiver) or some combination of the above. If only one loudspeaker is exhibiting the problem, and you're confident that it's not caused by too little power/too much power/excessive equalization, see solutions for Problems 1 and 2.



SERVICE NOTES

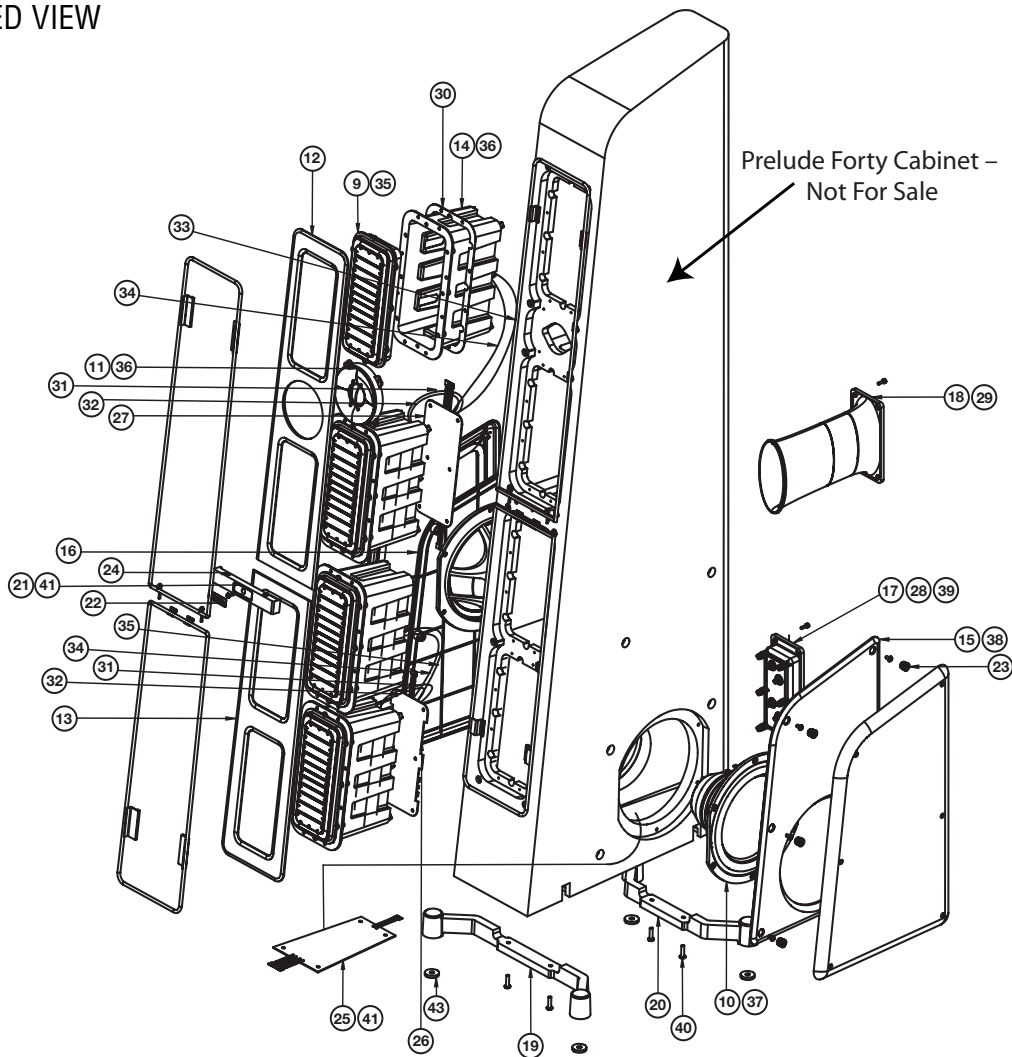
Woofer

- 1) Remove the woofer grille
- 2) Extract all six rubber grille retainers from the woofer bezel; this can be accomplished by carefully pulling them out of their cavities with long-nosed pliers or similar tool.
- 3) Beneath each grille cup is a screw. Remove the screws and remove the woofer bezel.
- 4) Remove the six woofer screws.

Midranges and Tweeter

- 1) Remove the upper or lower front grille as needed.
- 2) The top and bottom bezel is held on by adhesive tape and magnets, so the bezel must be pulled away from the cabinet face without damaging it. This is best accomplished by using your fingernails. If a tool is required, then use caution as the faceplate can be scratched.
- 3) Remove any driver as needed by removing the exposed screws and removing the driver.
- 4) Reattaching the bezel: if the tape is not damaged, then it can be left as-is and the bezel can be pressed into place. If the tape is damaged and preventing the bezel from laying flat on the faceplate, then more new double-sided tape can be added.

EXPLODED VIEW



ITEM	PART NO.	DESCRIPTION	QTY.	ITEM	PART NO.	DESCRIPTION	QTY.
1	364910-001	Outer Carton - BG	1	26	364720-002	Crossover Network, L.F.2	1
	364910-003	Outer Carton - CH		27	364720-003	Crossover Network, H.F.	1
	364910-004	Outer Carton - RSWD		28	364809-001	Gasket, Cup, Term	1
2	Visit www.infinitysystems.com	Owner's Manual	1	29	Not for Sale	Gasket, Port Tube	1
3	335841-002	Warranty, 5 year, Infinity	1	30	364819-001	Gasket, Midrng MRS Enclr/Cab	4
4	363100-002	Kit, Spike, Foot, 1.5"	1	31	Not for Sale	Set, Wire, #1, .205, 17" Mid Cup/MRS Drvr	4
5	364402-001	Assy, Grille, Upper	1	32	Not for Sale	Set, Wire, #1, .250, 17" Mid Cup/MRS Drvr	2
6	364403-001	Assy, Grille, Lower	1	33	Not for Sale	Set, Wire, #2, .205, 33" Mid Cup/MRS Drvr	2
7	364265-001	Assy, Grille, Left	1	34	Not for Sale	Set, Wire, #2, .250, 33" Mid Cup/MRS Drvr	2
8	364265-002	Assy, Grille, Right	1	35	802-41000-06	Screw, 6-32 x 3/8, Pan, Ph, Clr Zinc, Lcs	44
9	364244-001	Assy, MRS Flat-Panel, 6"	4	36	882-21410-08	MRS Drvr, Crossover Network/Enclr	36
10	364245-001	Assy, Woofer, 8"	2	37	803-41010-16	Screw, 6 x 1/2, Rnd, Ph, Wood, Blk Zinc	36
11	364593-001	Assy, Tweeter w/Waveguide	1	38	883-41110-12	Enclr, Waveguide, Lf Crossover Network, Logo Bar	12
12	364254-001	Assy, Bezel, Upper	1	39	908301-012	Screw, 8 x 1, Pan, Ph, Blk Zinc, LCS	12
13	364254-002	Assy, Bezel, Lower	1	40	804-41110-12	Screw, 8 x 3/4, Pan, Ph, Pb, Blk Zinc, LCS	12
14	364415-001	Assy, Cup, Mid	4	41	882-41110-12	Screw, 6 x 3/4, Pan, Ph, Pb, Blk Zinc, LCS	5
15	364583-001	Bezel, Woofer, L	1	42	883-41110-12	Crossover Network/Logo Bar	8
16	364584-001	Bezel, Woofer, R	1	43	364673-001	Screw, 8 x 3/4, Pan, Ph, Pb, Blk Zinc, LCS	8
17	364365-001	Assy, Cup, Term	1			Tie Wrap/CAB	
18	Not for Sale	Assy, Port Tube	1			Pad, Foot, Rbr	4
19	364312-001	Foot, Front	1				
20	364313-001	Foot, Rear	1				
21	364585-001	Logo, Bar	1				
22	361138-001	Logo, Infinity	1				
23	363865-001	Cup, Grille, Short, Blk	12				
24	337538-001	Cup, Grille	2				
25	364720-001	Crossover Network, L.F.1	1				